



Braun Chair Topper®

Stow or retrieve your wheelchair in 30 seconds from a car-top compartement.



The need to store your wheelchair in the trunk or backseat is eliminated, allowing family and friends to enjoy the comfort of your vehicle.



Chair hook lowers within easy reach of the driver.



The plastic shell is always delivered in white, but can be painted to match the vehicle's exterior.

Developed to assist wheelchair users who are able to transfer, the Chair Topper automatically folds and stores a conventional folding wheelchair inside a weatherresistant car-top compartement. The smooth operation ensures your chair is carefully handled and transported without damage or wear and tear. A convenient hand-held control operates the folding, lifting and storing of your wheelchair. Due to its horizontal operation, the Chair Topper may be operated in home or public parking garages, with a minimum amount of space required beside the vehicle – a great feature for tight parking situations.

Quick facts

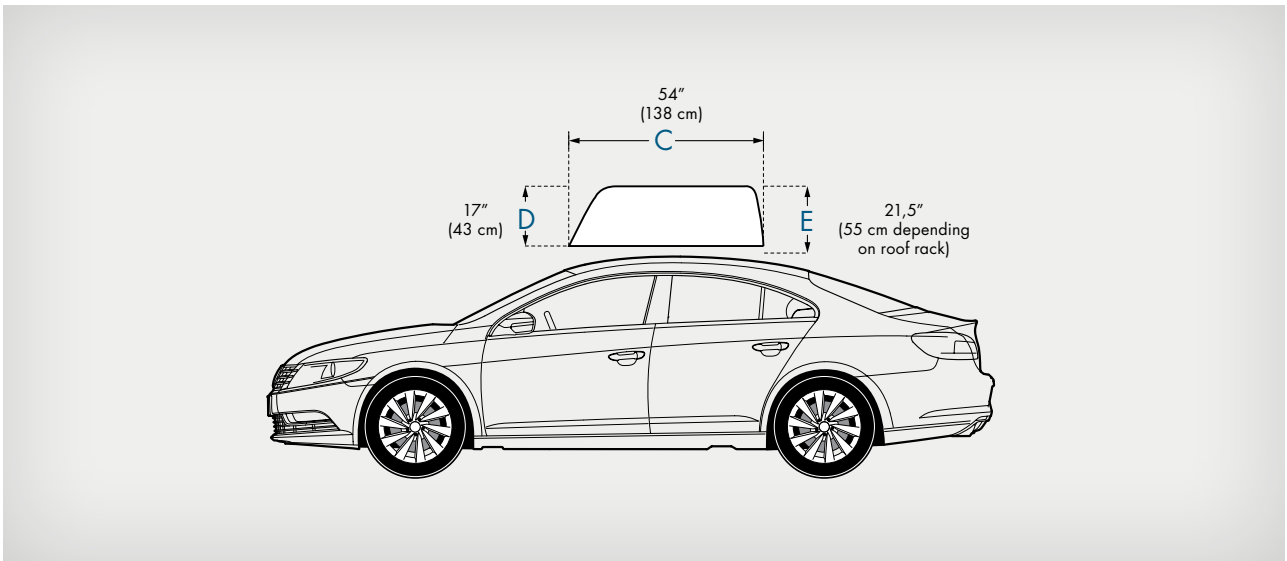
- Complete operation takes only 30 seconds
- Stores and folds automatically most conventionally folding wheelchair inside a water tight plastic cover that mounts to the top of most vehicles
- Single rocker switch located in a user-friendly hand-held control operates the lifting, folding and storing
- Available in driver- and passenger-side models
- Adds only circa 55 cm in height to vehicle, depending on roof rack
- Lifting capacity is 20 kg
- Manual release located inside an easily-accessible door
- Powder coated aluminum frame construction with a fully enclosed (top and bottom) plastic shell
- EMC test approved and CE-marked

To guarantee your safety all Autoadapt and Braun products are designed and tested according to current directives and standards.

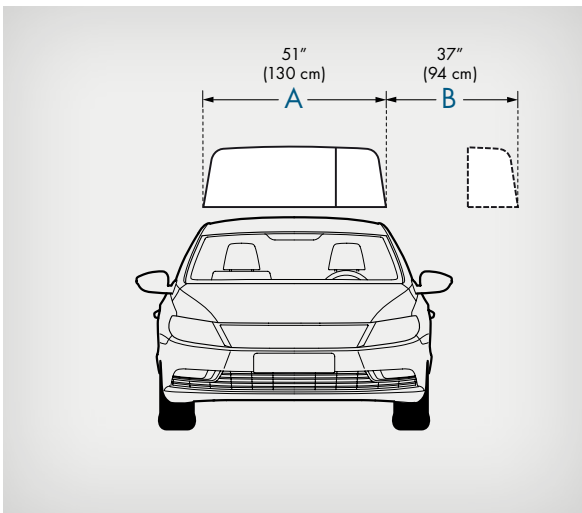
Braun Chair Topper®

Dimensions

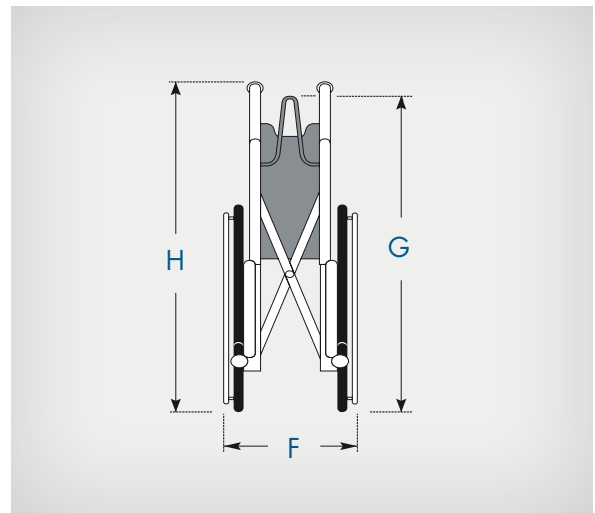
Side view



Front view



Front view chair dimensions



Chair Topper	Power supply		Width A	Stroke B	Length C	Height D	Height E	Estimated added height to vehicle height	Cycle time	Lifting capacity	Unit weight	Chair	Maximum folded width F	Maximum apex height G	Maximum handle height H
	12 V	Side													
L710X-E	12 V	L	130	94	137	43	55	30 sec	20	56		23	88	102	
L710XR-E	12 V	R	130	94	137	43	55	30 sec	20	56		25	87	100	
												28	86	98	
												30	85	97	
												33	84	95	
												36	83	93	

All dimensions are given in cm and kg, and for reference only. Maximum wheelchair weight: 20 kg.
Maximum wheelchair depth (back of rear wheels to tip of footrests): 113 cm.